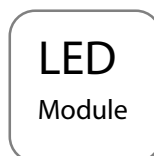
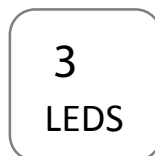


# Specification

formulate	verify	approve

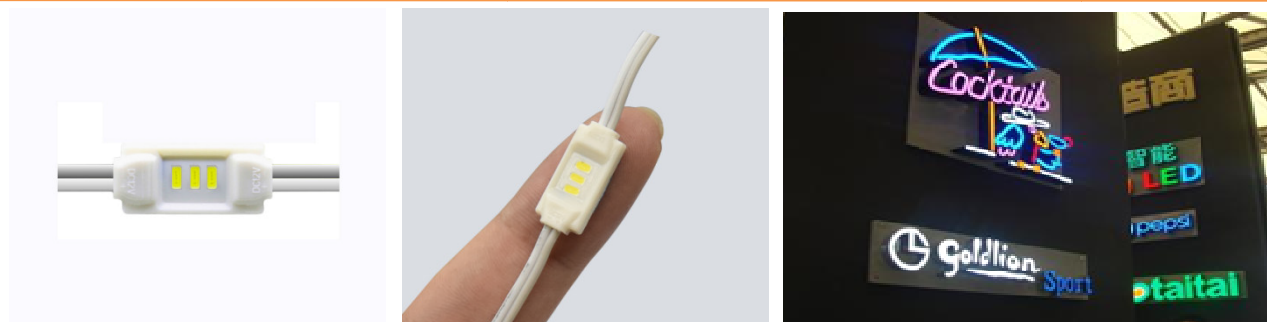
examine	confirmation	authorize



## Item No : :

YS -M88631 18\*8\*3mm, 3-LEDs waterproof Constant voltage 12VDC LED Module

## Picture :



## Features :

- Adopt super high lumen SMD3014 LED, each module can reach 27 ~30lm;
- Standard module quantity per string up to 20pcs;
- Adopt aluminum PCB board, good heat sink, long lifespan;
- Waterproof with ABS injection housing;
- UL & CE & RoHS approved.

## Application :

Suitable for 3 ~8cm depth signs such as channel letters, metal letters, light boxes, decoration, etc.

## Warranty :

5 years or 13,000 hours, whichever comes first.

## Technical parameters :

Item No.	LED Color	CCT (K) Wavelength(nm)	CRI Ra	Color tolerance SDCM	Beam Angle (°)	Luminous Flux (lm/m)	Lighting effect (lm/W)	Input Voltage (VDC)	Current	Power
									(mA)	(W)
									1 (PCS)	1 (PCS)
YS -M8863	Warm	3000	75	5	120	27	90	12	25	0.3
1-WW	White									
YS -M8863	Pure	6500	75	5	120	30	100	12	25	0.3
1-W	White									
YS -M8863	Cool	8000& 10000K	75	5	120	28	95	12	25	0.3
1-CW	White									

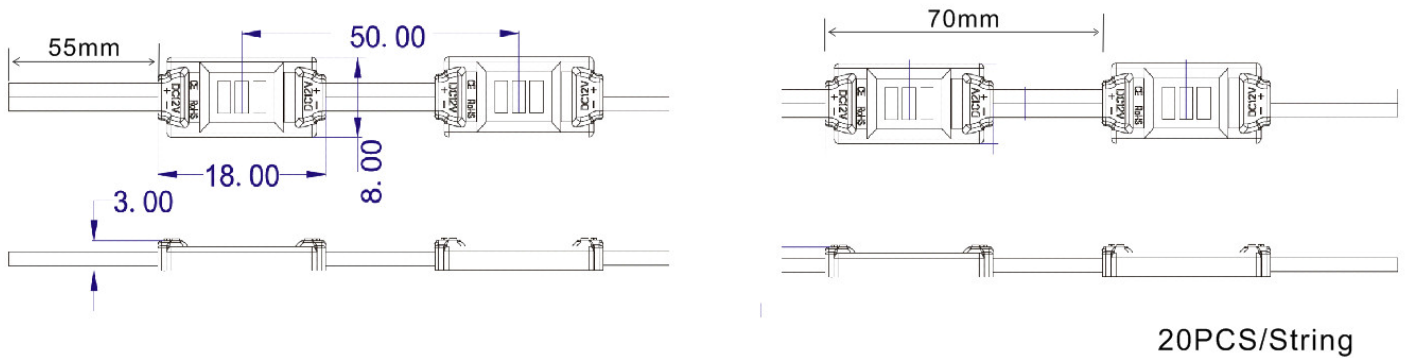
## Other parameters :

Item No.,	IP Rate	Working temperature ( )	Storage temperature ( )	Standard Length (PCS )	Max connection (PCS )	LED Qty	Weight (g)
YS -M88631	IP 65	-25~+50	-25~+60	20	30	3	0.6

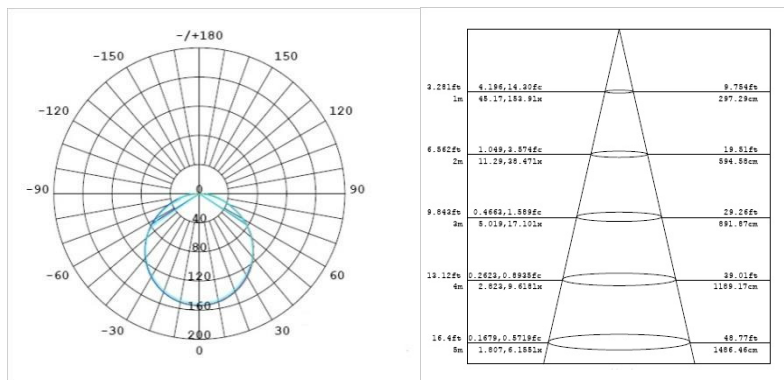
- Remark :
- (1) Test environment temperature is 25±2 (normal temperature) ;
  - (2) The above data is typical, the actual parameters of the product may differ from the typical data; the data is subject to change without notice
  - (3) The above "-" indicates that the parameters of this product are not required at the moment ;
  - (4) Power is greater than 15W/m, need to cooperate with the profile heat dissipation

## Dimension :

Unit : mm



## Light distribution curve / isolux diagram :

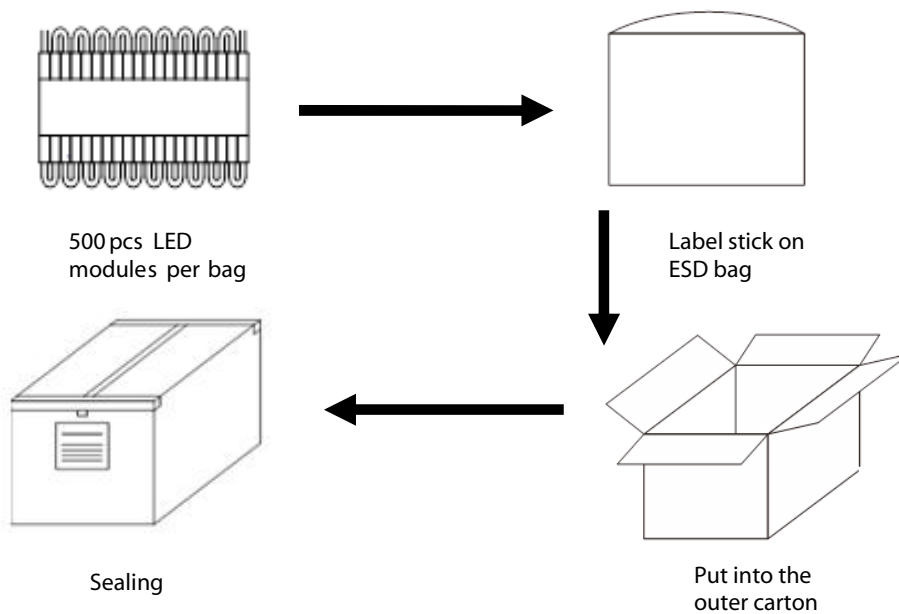


## Packaging :

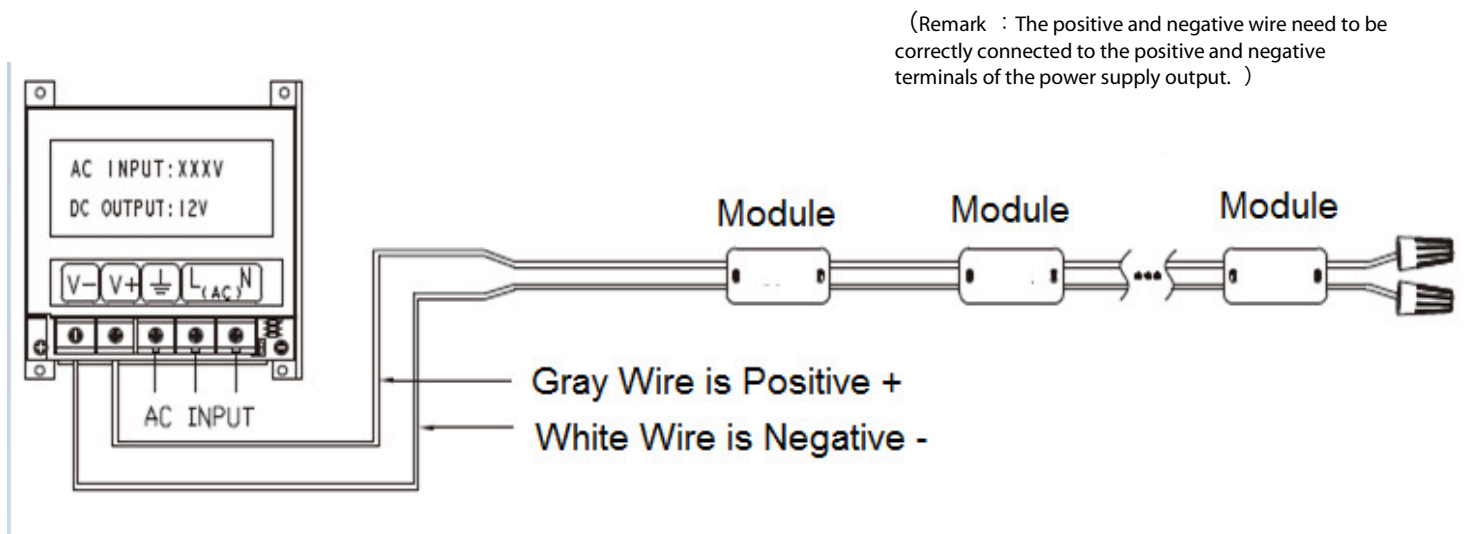
Item No.,	Qty per string (PCS )	Qty per carton( PCS )	Total weight (Kg )	Dimension of outer carton (mm)		
				Length	Width	Height
YS -M88631	20	10000	11	520	300	220

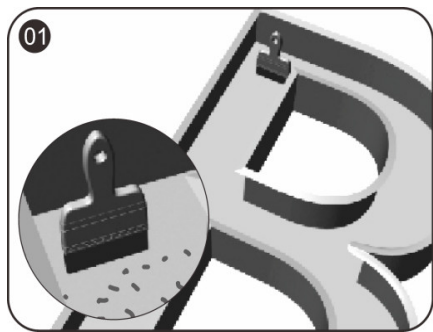
Remark : The above packing quantity and weight only refer to the packing method as shown in the diagram. When other packing methods are adopted, there will be differences in packing quantity and weight. Please subject to the actual product.

## Packaging drawing :

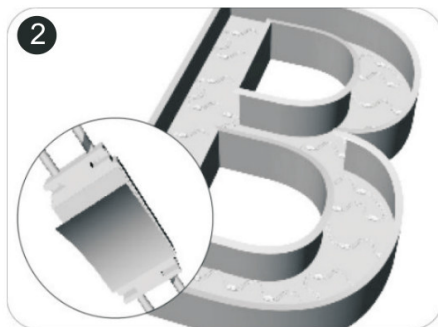


## Installation :

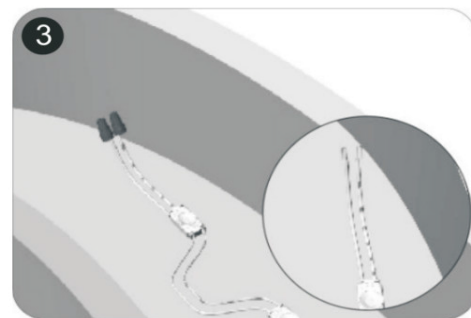




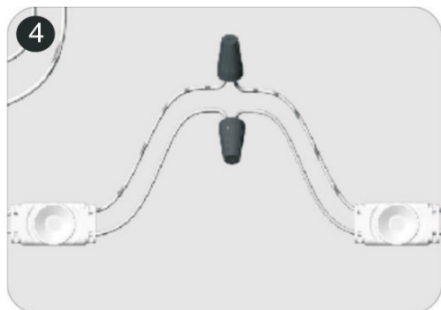
Clean up debris on the mounting surface to ensure surface cleaning



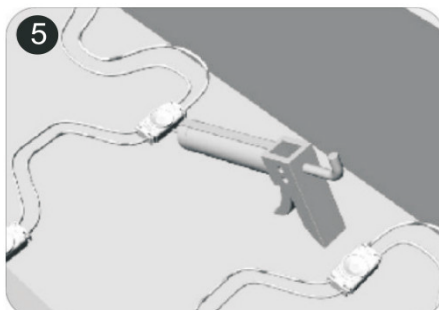
To Peel off the adhesive tape on the back of the module, and lightly stick to installation slot for initial positioning.



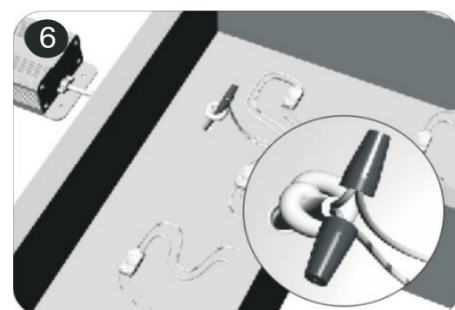
When the wire of the end module is exposed, first peel the wire for about 10mm, then screw the positive and negative wires into the terminal separately, and do waterproof and insulation protection and treatment.



When the modules are connected in series, the positive and negative wires of the modules are peeled separately for 10mm and then connected with terminal, and do waterproof, insulation, anti - short circuit and anti - corrosion treatment



After adjusting the module to the optimal installation position, squeeze the double-sided adhesive and fix it with neutral glass adhesive.



The positive and negative wire need to be correctly connected to the positive and negative terminals of the power supply output.

## Common faults of products and troubleshooting methods :

Fault phenomenon	Potential causes	Solution
All LEDs are off	1、 The power is off.	power transmission
	2、 Automatic protection of the power supply after the output of the switching power supply is open or shorted.	trouble shooting and recovering the power supply
	3、 LED Strips with power supply terminal polarity reverse	Check the wire connection to ensure correct connection of positive and negative wire
Some of the LEDs are off	1、 Part of the switching power supply is not powered	Check the power supply system and troubleshoot
	2、 Part of the electricity supply line error	
	3、 Partial led strips with reverse polarity connection	Correct connection
LED brightness is not the same or the brightness is not enough	1、 Power overload	Replace the power supply with a larger power according to the load
	2、 Switching power supply line or circuit loss is too large	Ensure that the operating voltage of the led strips is within $\pm 5\%$ of the rated voltage  1. Cut the length of the wire between the strip and the power cord or use wires with larger diameter; 2. Ensure that the number of each led strip is less than or equal to the maximum allowable cascade ;And make each strip with a similar connection.
	3、 Over connection of LED Strips	Adjust the number of strips for each power supply and to meet the maximum connection requirements for each power supply.
LED flashing	1、 Poor contact at the wiring point	Find out the bad points and troubleshoot
	2、 Switching power supply failure	Replace the switching power supply

## Statement :

If the external cord of the product is damaged, it should be replaced by the manufacturer or its service agent or a similarly qualified person to avoid danger.

For the specific installation and precautions of the product, please refer to the product manual.

The data above in this specification is based on standard products. Actual shipments may be a little difference. Please refer to the actual product.

All product drawings in this specification are schematic diagrams, and actual shipments may be a little difference. Please refer to the actual product.

## SHENZHEN YESUN LED Limited

Address : 3/F, Blog A3, Langxin industrial park, Shiyan Street, Bao'an  
Tel: 86 -755 -29049310 Email: info@yesun-led.com  
Web: www.yesun-led.com

dist., Shenzhen, Guangdong, China